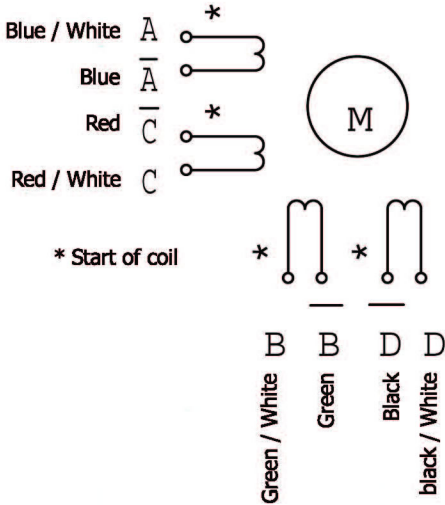
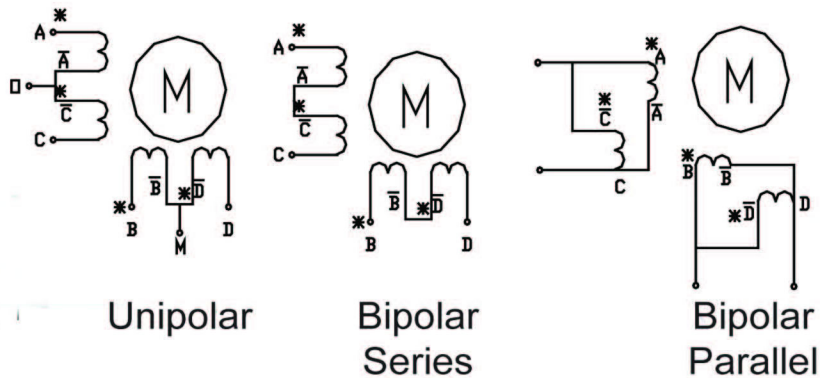
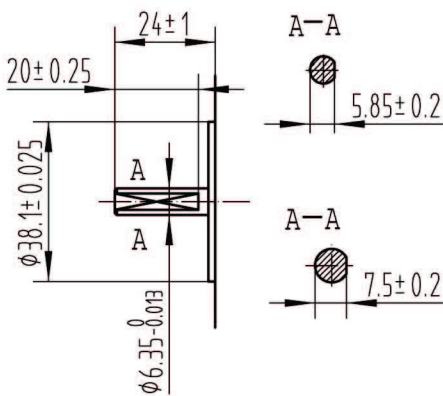
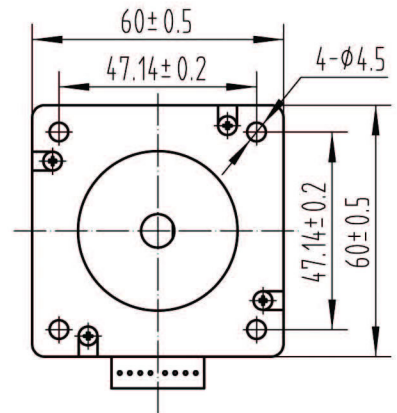
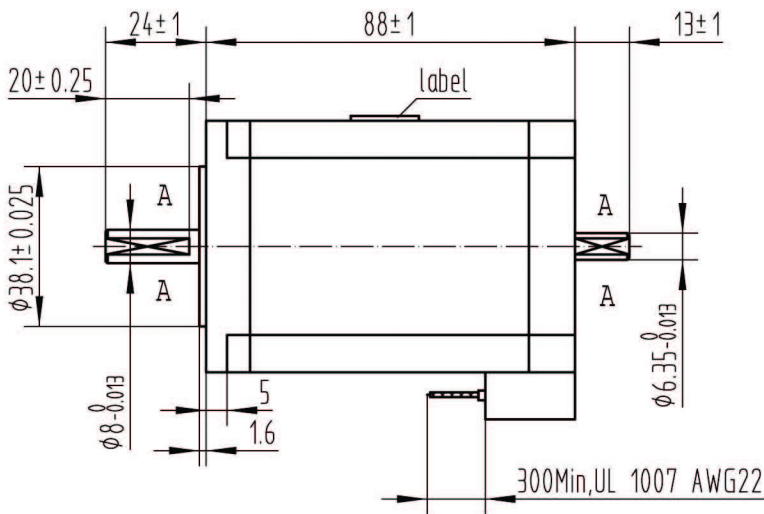
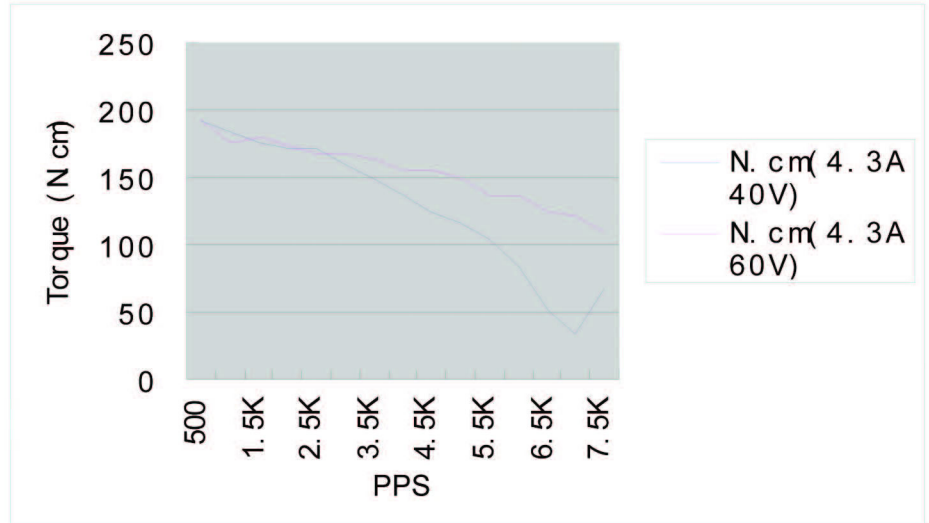


Part No	Connection Type	Phase	Degree	Voltage V	Current A	Resistance Ohm	Inductance mH	Holding Torque Nm	Rotor Inertia g.cm ²	Weight KG
23SH086-028-8W-F8-F6.35-3.1	Unipolar	4	1.8	3.9	3	1.3	3.2	2.15	840	1.4
	Bipolar(S)	2		5.46	2.1	2.6	12.8	3		
	Bipolar(P)	2		2.73	4.2	0.65	3.2	3		

Colour Codes:



Torque Curves



23SH086-028-F8-F6.35-3.1



REV	REVISIONS	DESCRIPTION	BY	DATE

Klavio Kft
www.t2cnc.hu www.klavio.hu