



sPlan 7.0

The schematic editor for Windows

System requirements

Windows 2000, XP, Vista,
Win 7 32/64 , Win 8 32/64 bit

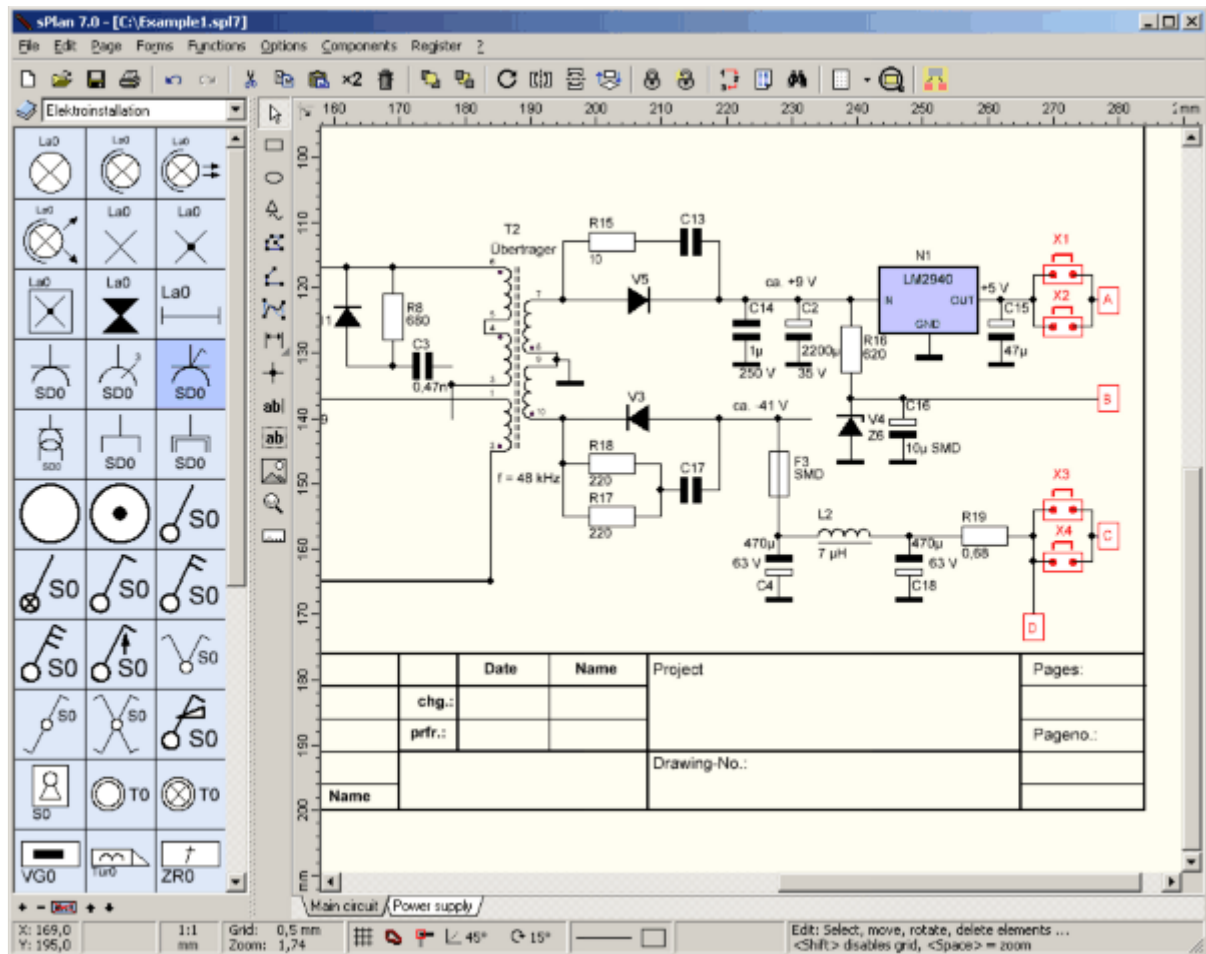


sPlan is a software with already many thousands enthusiastic users. You need a software to design your schematic circuit diagrams easy and fast? You won't get pass sPlan! No matter if you only want to sketch a little circuit diagram or if you need to design a big project with several pages.

The new version 7.0 is the consistent further development of the reliable predecessor. Many new and improved features helps you to create your schematics easy and clean. Of course the new version is full compatible with its predecessors sPlan 6.0, 5.0 and 4.0. You can load and edit all files from these versions.

With the [free viewer-software](#) everyone is able to view and print your circuit diagrams. A [free demo version](#) of the new version 7.0 is also available.

As always, we have set great store of a logical and simple use of the software. With sPlan you will design your schematics even after a short time very easily.



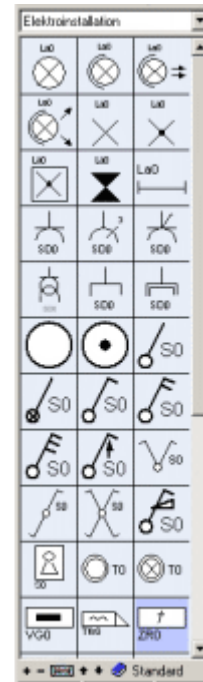
The handling of sPlan is really quite simple. The components can be drawn from the extensive library to your circuit diagram. A user definable grid-capture makes it easy to place and wire the components. You can move, rotate, shear or scale all elements on your diagram just like you want. You can group several components to simplify your further work. The usual clipboard-functions let's you copy, cut and paste any sections of your diagram. Many special features like the automatic component numbering, the component-list function, the usage of variables, the component search or the linking-functions helps you to design your schematics. Even beginners will create perfectly designed circuit diagrams within minutes.

Component library

The well-sorted component library contains all you need to draw a clearly arranged circuit diagram. Diodes, resistors, switches, transistors, etc. Just drag the needed components from the library to your drawing. If there is still a needed component missing, you can easily create this component and add it to the library. You may even reorganize the complete library and create symbols that exactly satisfy your demands.

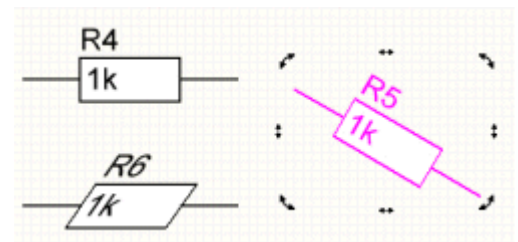
You can adjust the appearance of the library, like the width or the number of displayed columns.

You can also create new libraries, which are located on network drives, so that many users can use the same library.



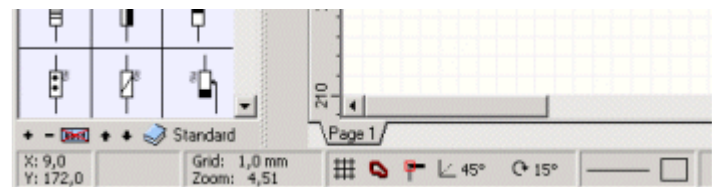
Moving, rotating, shearing, scaling...

You can easily move, rotate, shear or scale all elements on your schematic just with your mouse. There are no special menu functions or other commands necessary. This is only one example for the intuitive and simple handling of sPlan.



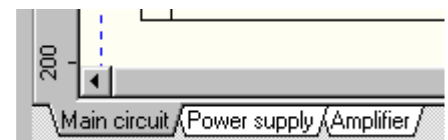
The statusbar

All important and often needed settings can be controlled and changed anytime and straight in the lower statusbar of sPlan. So you don't have to search in the menu for this options.



One project - many pages

A project can contain as many pages as you need. You can switch between the pages with a single mouse click. The pages can be easily sorted, added or deleted. You can even import and export pages to exchange them with other projects



Form sheet

The form sheet feature allows you to load editable forms to the background of your documents. Forms are edited separately from the circuit diagram, so that they do not disturb your work, while editing the circuit diagram..

modifications		date	name	description	pages
date	name				page no.
				Dimmer for demonstration only!	
				diagram no.	

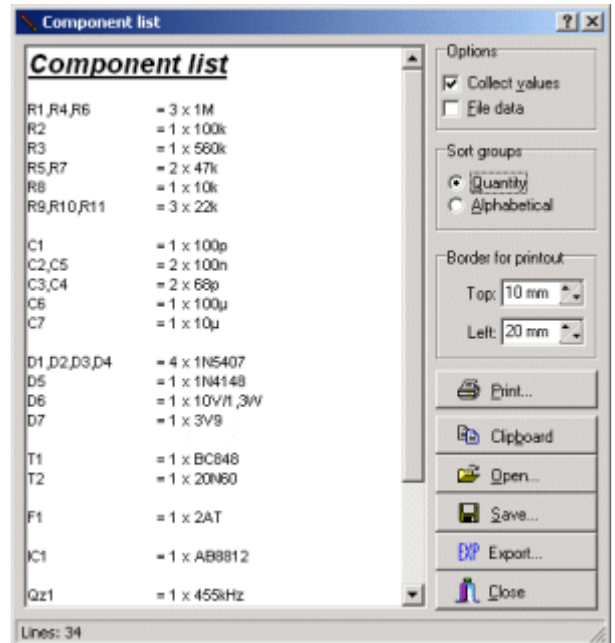
Component list

Component data like identifiers and values of your components are processed automatically, while a circuit diagram is being edited. A structured component list can be generated from the component data, whenever you want.

The component list is editable, so you can add e.g. order information or whatever to the list.

You have several options to create a component list like the sorting or the grouping of identical values. A components list can contains any or even all pages of your project.

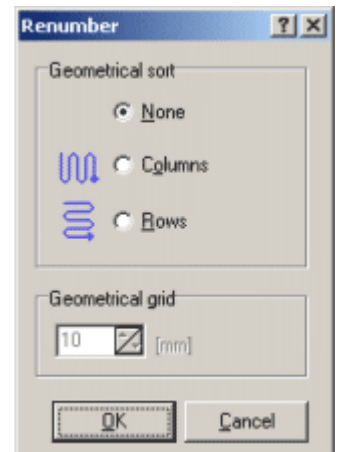
You can copy the component list to the clipboard or you can even export the component list, so you can use the data in other programs like Word or Excel.



Automatic renumbering

Another important feature of sPlan is the automatic renumbering of the components. You don't need to take care about the numbering of the single components. Every component can get his index automatically. You can fill gaps, which may appear if you delete an existing component, with a renumbering function at any time.

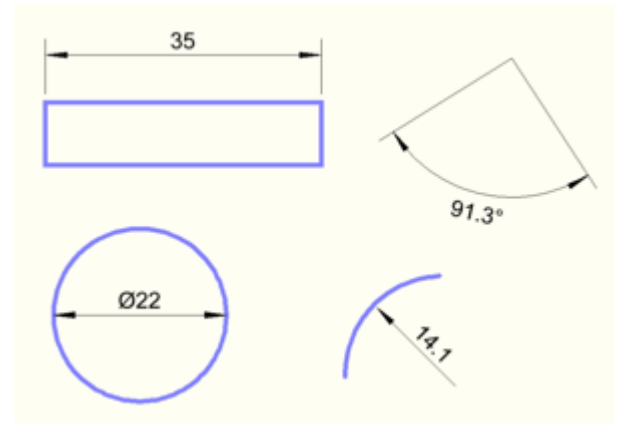
It is also possible to renumber your circuit diagram in a geometrical manner. sPlan will check your circuit diagram by columns or by rows, and the components will be numbered in this way. So you can get a logical numbering of your components, even if you have drawn your schematic in a very confused order.



Dimensions

With sPlan you can easily create different kinds of dimensions. Every dimension is an independent object and can be adjusted at any time. The dimension value can be set automatically or you can define a fixed value. Even the design of the dimensions are editable.

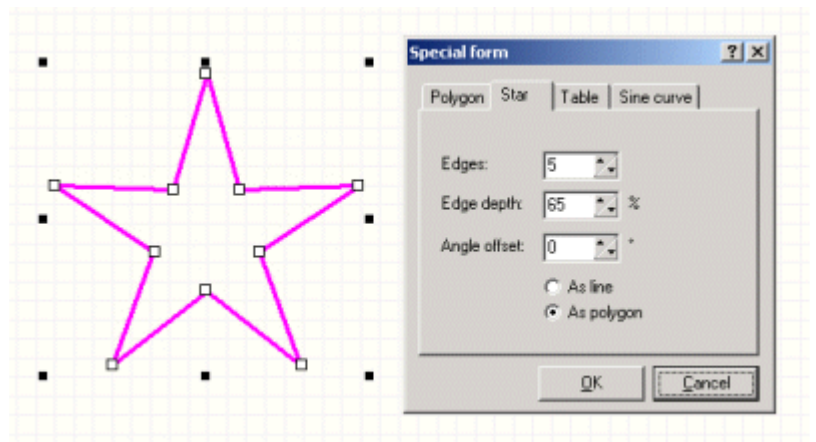
Now you can draw simple technical constructions with sPlan, like case constructions, etc.



Special forms

The special forms helps you to create often needed geometric figures like equilateral polygons, sine curves or tables.

The different forms can often be used as a construction aid. So you can use for example an equilateral polygon to arrange several connections of a component circularly



Active Links

With an external link, you can create an active link to a website in the internet, or to a special file (e.g. a PDF document with a datasheet).

With an internal link you can create active links from one place on your diagram to another place. It doesn't matter, if the link is on the same page or on another page. You can follow the links with a simple mouse click, so you are able to create interactive circuit diagrams.

www.abacom-online.de

Normal label

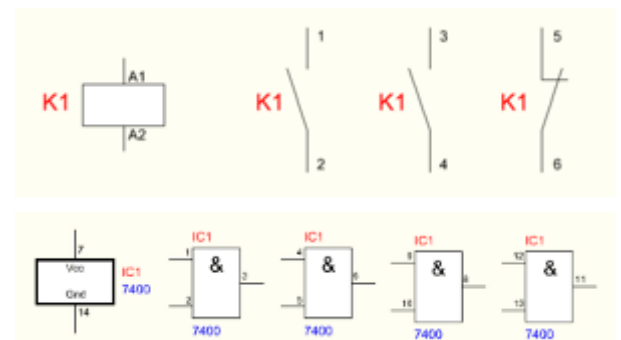
only available as target

only active link

available as target + active link

Parent-Child relations

Components can have a Parent-Child relation. A "parent" knows all his "child's", and a "child" knows his "parent". This allows a child to get the identifier and the value of his parent. If the parent is changed, the child will change his identifiers automatically. This is a big advantage, especially if you are using contactors and contacts or IC's with several gates.



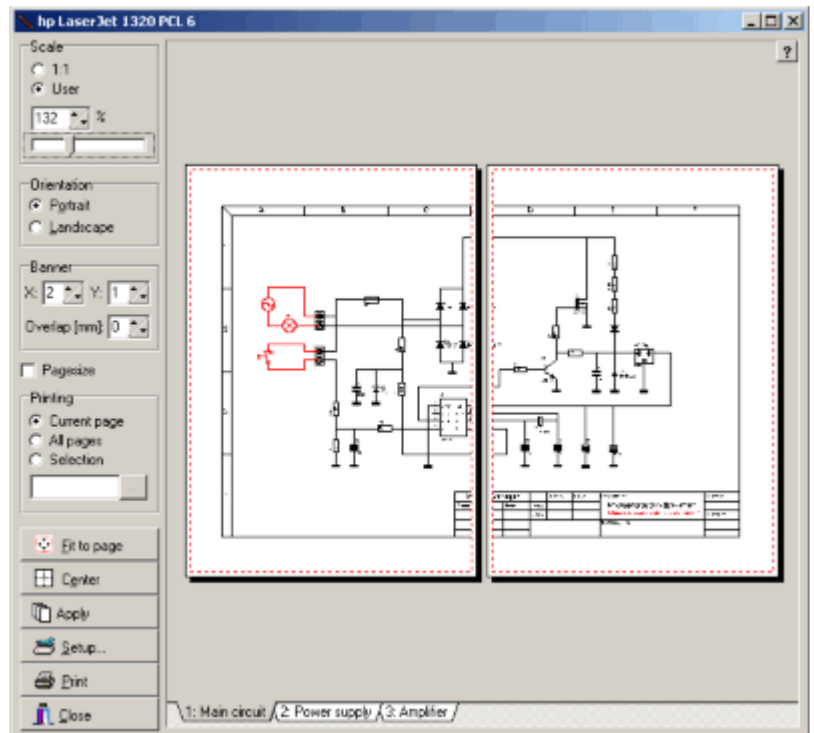
Printing

sPlan is equipped with a comfortable preview for printouts. Here you can see exactly how your printout will look on your paper. All settings that you make in the preview will be displayed immediately, so you can see that effect of each option, without any waste of paper.

You can select the printer, adjust the magnification, the position of the printout on the paper, and so on.

You can print a single page, a selection of pages or all pages of your project.

The new banner function lets you print your drawing spread over several pages. So you can e.g. create a A2 printout with a normal A4-printer.



The Viewer

There is a free viewer-software available for sPlan. With this viewer, everyone is able to open, view and print sPlan files in maximum quality. The current version 7.0 of this viewer can also open all files from sPlan 6.0, 5.0 and 4.0.

if you want to publish your original schematics e.g. in the Internet, you may offer the free viewer software for downloading. So all visitors of your page are able to open, view and print your schematics, no matter if they own sPlan or not.

